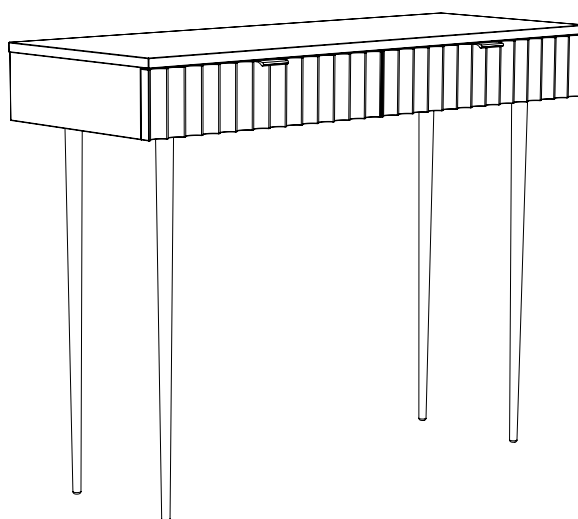
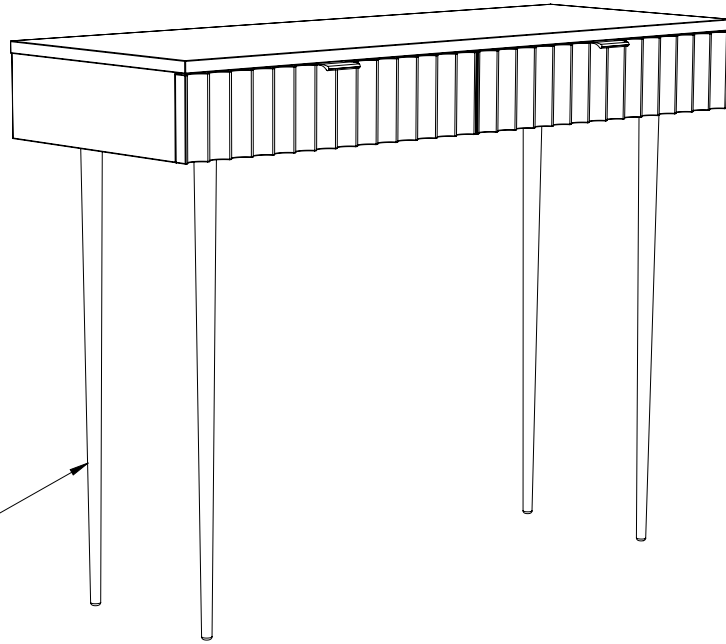



Assembly instruction

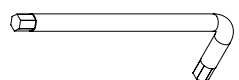
GLAM console



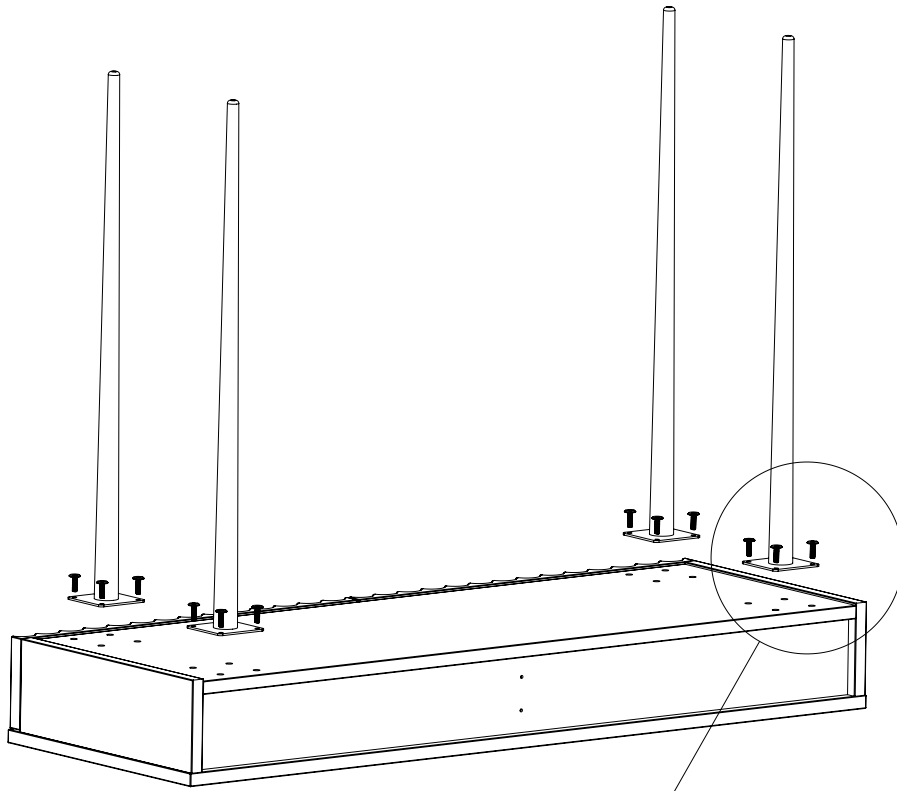


1 x4

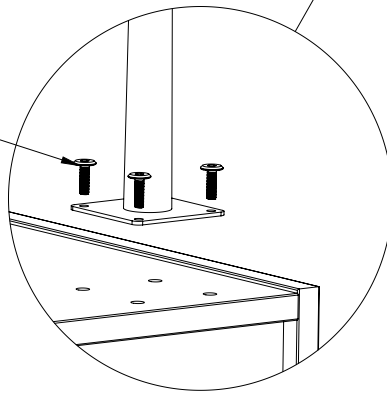
A  pcs.:
16

B  pcs.:
1

STEP 1



A x16



STEP 2

